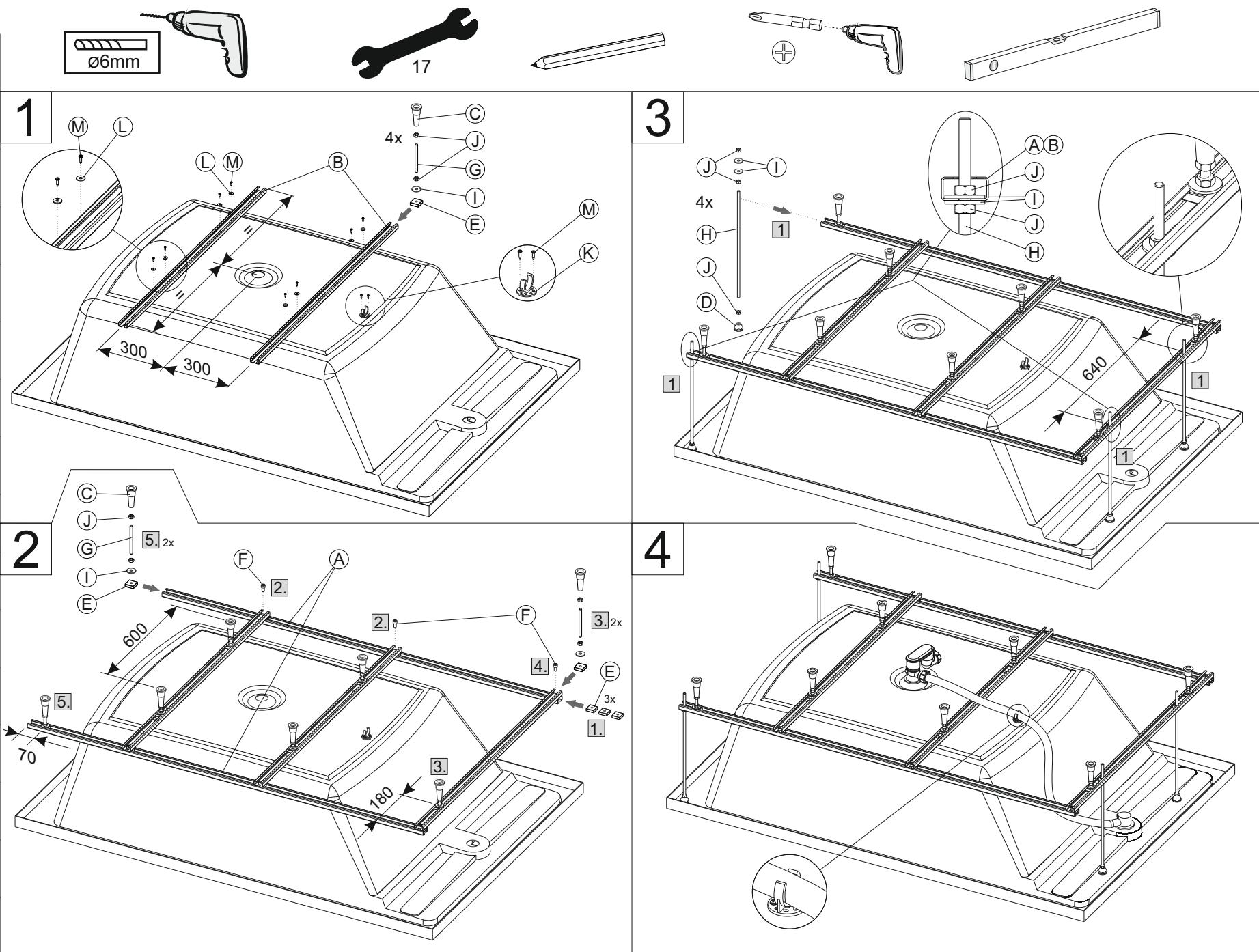
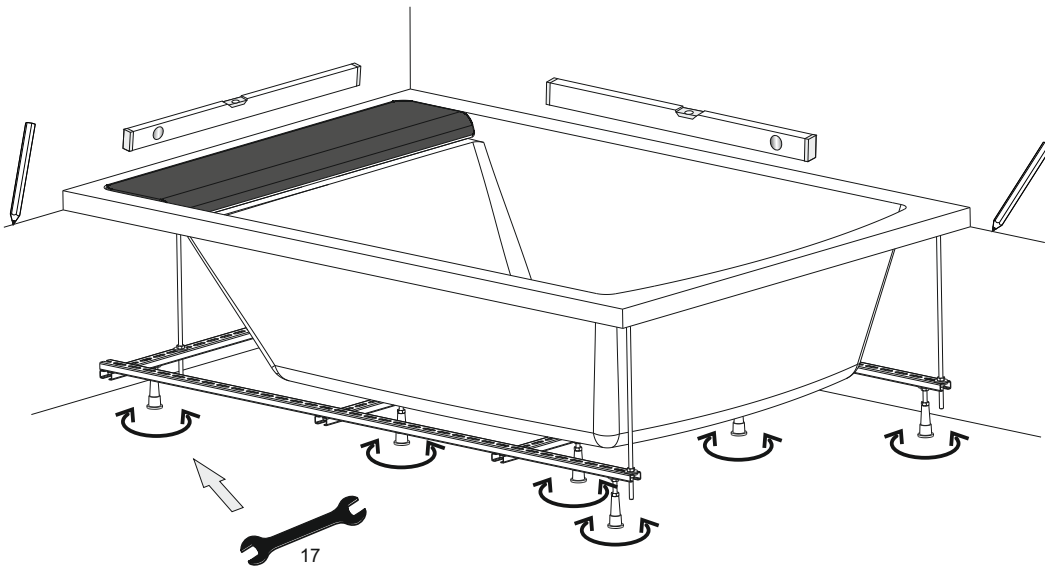




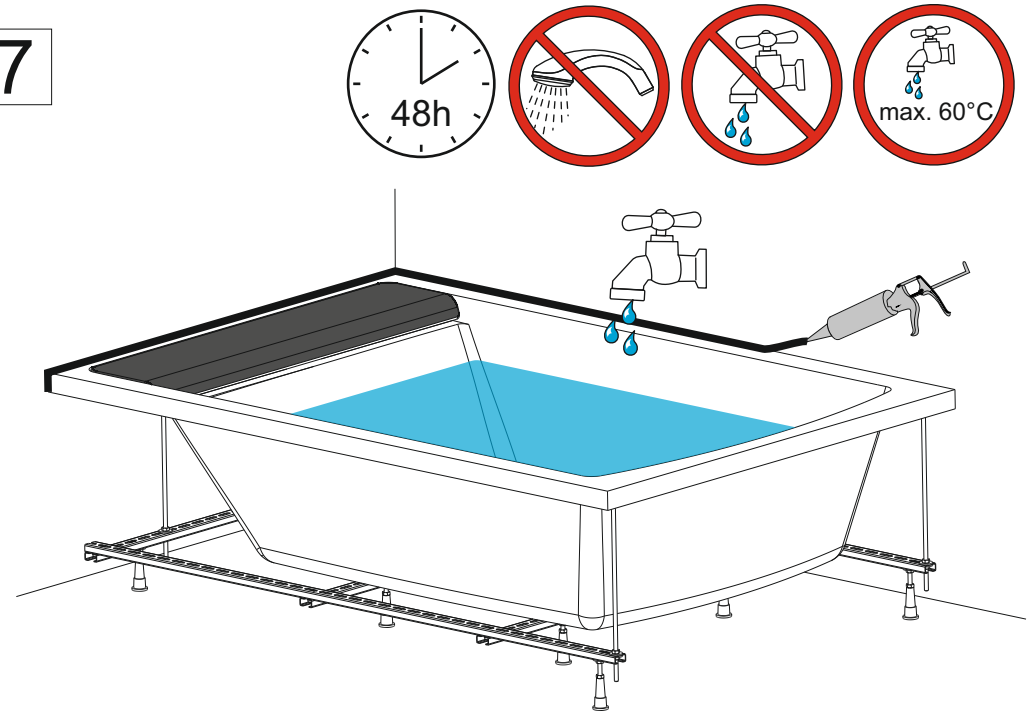
A		2x
B		3x
C		8x
D		4x
E		14x
F		6x
G		8x
H		4x
I		16x
J		28x
K		1x
L		8x
M		10x
N		6x
O		6x
P		6x



5



7



6

